

User manual

Luna Chair



User manual

Luna Chair

CONTENT

Page 2	Recommended use
Page 3	Handling
Page 4	Caution
Page 4	Usage
Page 4	Cleaning advice
Page 4	Technical data
Page 5	Warranty
Page 6-7	Troubleshooting



Please read the enclosed user manual carefully. A safe use of our products is only possible if the operating instructions are read completely and the instructions contained are strictly observed.

Luna is designed for active listening and relaxation. Listen to an audio book or to music (or simply enjoy the silence). You don't need any headphones; the audio is just there. The armchair is equipped with integrated speakers and 3.5 mm Mini Stereo Jack connector. Simply connect to a stereo, tablet, computer or another audio source.

Luna's characteristic moon shape has an important sound-shielding function. No disturbing noise in or out. The sound stays in the armchair and does not disturb anyone else.

Design Mårten Cyrén & Bertil Harström for Eurobib Direct

RECOMMENDED USE

Luna is designed for public spaces and is ideal for libraries or other learning environments.

- Set-up Luna with a user accessible music device (e.g. tablet positioned in secured tablet stand), so that the user has access to music streaming of choice.
- Set-up Luna with no user accessibility and control the music device by your staff only.

HANDLING

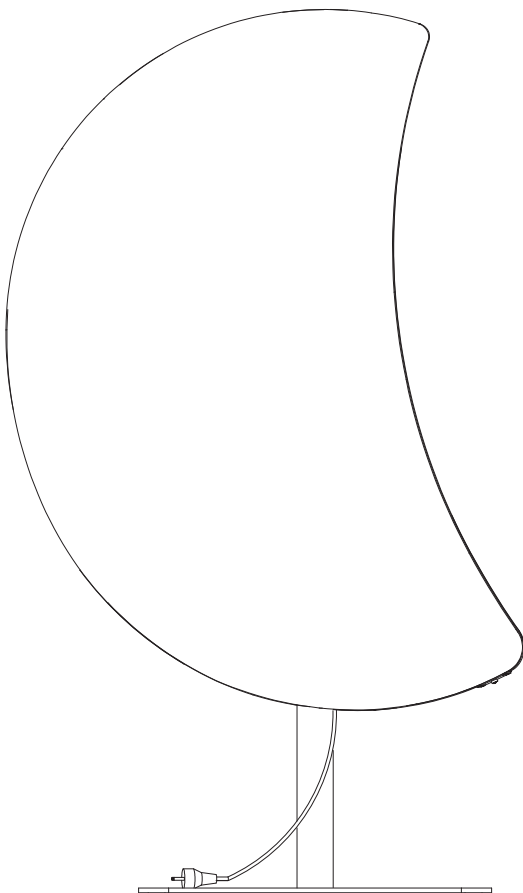
Luna is delivered including built in stereo speakers, amplifier, power cable and 3.5 mm Mini Stereo Jack connector for connection of a music device. Connection cables with 3.5 mm Mini Stereo Jack for the most common music devices are included.

- Place Luna in the desired location.
- The power cable is attached to the foot of the chair (pos.1).
- Connect power cable to a wall socket. The chair is delivered incl. 3 m standard EU power cable. If you wish a longer cable or a different power plug use cable connection type C14 EN60320-1.
- Connect your music device e.g. laptop, tablet, smartphone or stereo device with a connection cable with 3.5 mm Mini Stereo Jack under the chair (pos. 2).
- Adjust the volume of the speakers (pos. 3) directly on the amplifier which is placed in the bottom of Luna behind the velcro opening (pos. 4). Please note that the music device also influences the sound and may require adjustment in order to achieve the optimal sound.

Connection cables with 3.5 mm Mini Stereo Jack plug for the chair are included with the following plugs:

- 3,5 mm Mini Stereo Jack for e.g. a laptop or tablet
- Twin RCA Phono for e.g. a stereo device.

In case none of these cables included fit your device, you will have to source it locally.



User manual

Luna Chair

CAUTION

FAILURE TO COMPLY WITH OR OBSERVE ALL ASSEMBLY, SAFETY AND OPERATING INSTRUCTIONS AND WARNINGS REGARDING THE USE OF THIS PRODUCT MAY RESULT IN SERIOUS BODILY INJURY.



- Children should not use Luna without adult supervision.
- Power cable and Connection cable with 3.5 mm Mini Stereo Jack mm must be protected against damage and to prevent people from tripping over it.
- Only authorized personnel are allowed to make adjustments on this product.

USAGE

- Luna is solely for listening and relaxation.
- It is prohibited to use Luna as a climbing aid or similar. Luna is recommended for public use in areas which accommodate normal use for one person at a time.
- Only trained personal should have access to the velcro opening for maintenance and troubleshooting reasons. The opening is therefore positioned discretely under the bottom of Luna.

CLEANING ADVICE

- Remove stains with lukewarm water possibly added a neutral detergent.
- It is a good idea to do a test where it will not show before applying a cleaning agent. Use only small quantities of cleaning agent at a time and dry up with absorbent paper as you work.

TECHNICAL DATA

Size:	W800 x D850 x H1475 mm
Material:	Upholstered timber shell, steel base with EPC finish
Connection:	Input voltage 90-264 V AC (47-63 Hz) with C14 EN60320-1 connection. (3 m EU standard cable included)
Power consumption:	40 W Max
Sound speakers:	30 W RMS (2 x 15 W)

WARRANTY

The product (except for the 3.5 mm Mini Stereo Jack cables, which are wear parts) is covered by our 2-year warranty for material and manufacturing defects. Your invoice serves as proof of warranty. If you wish to make a claim under the warranty, you must state the invoice number. For other matters, please see our Conditions of Sales and Terms of Delivery.

User manual

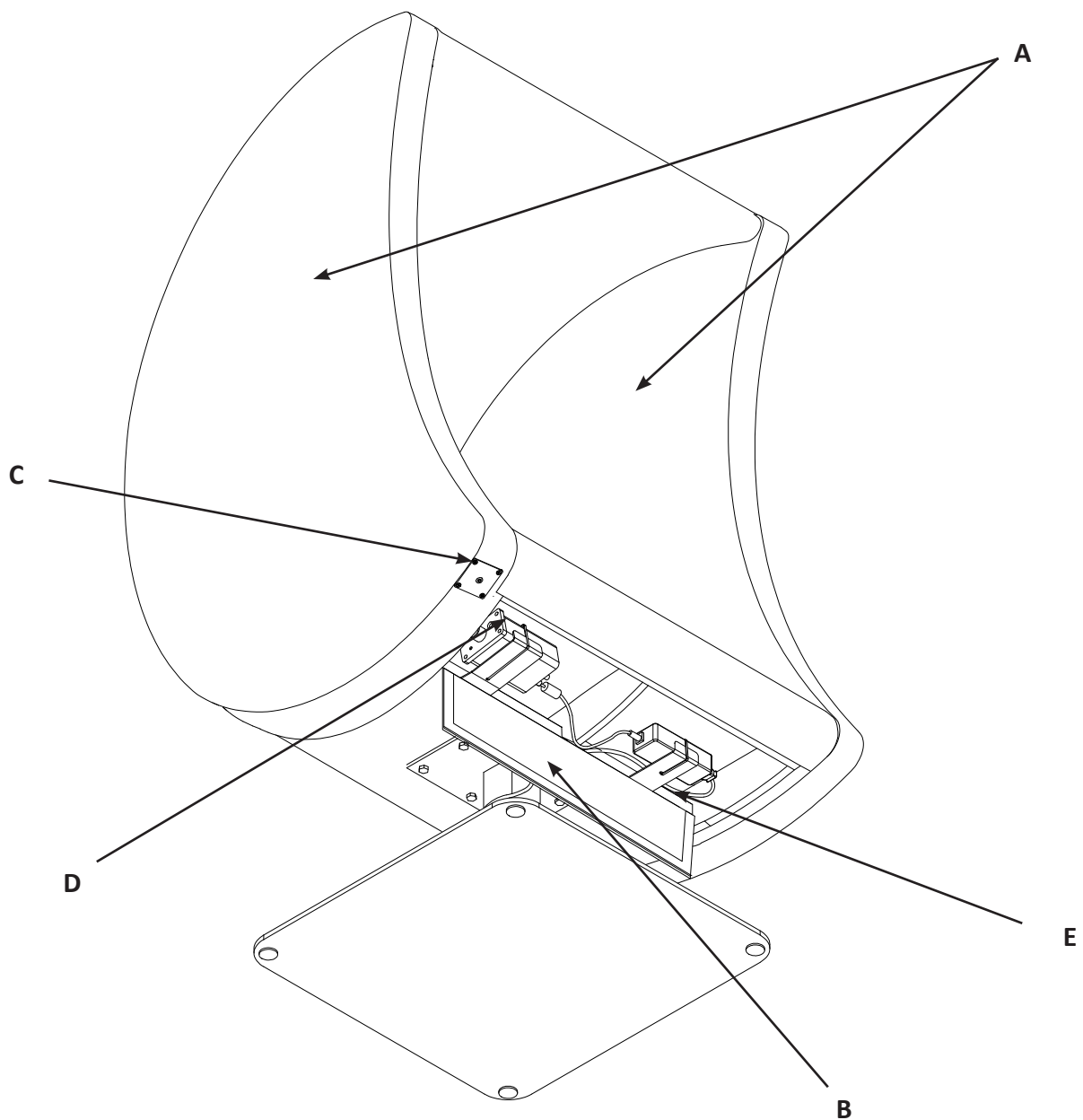
Luna Chair

TROUBLESHOOTING (see drawing on page 7)

Error type	Control	Action
There is no sound in the speakers (a)	Is the plug in the socket and the power turned on?	Check the electric power, e.g. try to connect a lamp to check that the main supply is working.
	Are all plugs connected?	Check all connections also on music device. Check also cables under the Velcro opening (b)
	Is there any visible damage to wires, operating units?	Any damaged parts should be replaced.
	Check volume indicators	Adjust the volume on the music device Adjust the volume on the amplifier (d) in the bottom of Luna under the Velcro opening (b)
There is little sound in the speakers	Check volume indicators	Adjust the volume on the music device
		Adjust the volume on the amplifier (d) in the bottom of Luna under the Velcro opening (b)

This drawing is included for maintenance and troubleshooting purposes only. The drawing does not show the power cable which is connected to the amplifier (d). Cable connection type C14 EN60320-1.

- A) Speakers
- B) Velcro opening
- C) Connector for 3.5 mm Mini Stereo Jack
- D) Amplifier with volume control
- E) Transformer with power cable



LOCATIONS

WE ARE LIBRARY PEOPLE®



DENMARK

Lammhults Biblioteksdesign A/S
Dalbækvej 1
6670 Holsted

bci@bci.dk
www.bci.dk

SWEDEN

Lammhults Biblioteksdesign AB
Odlarevägen 16
226 60 Lund

eurobib@eurobib.se
www.eurobib.se

UNITED KINGDOM

thedesignconcept Ltd.
The Old Bakery,
10 Greenless Road
Cambuslang Belgrave Street
Glasgow G72 8JJ

info@thedesignconcept.co.uk
www.thedesignconcept.co.uk

FRANCE

BC Intérieur Sarl
8, Allée Lorentz
77420 Champs sur Marne

bci@bcinterieur.com
www.bcinterieur.fr

GERMANY

Schulz Speyer Bibliothekstechnik AG
Hafenstraße 2
67346 Speyer

sales@schulzspeyer.de
www.schulzspeyer.de

NORWAY

BS Eurobib AS
Alf Bjerckes vei 20
0582 Oslo

post@bseurobib.no
www.bseurobib.no

BELGIUM

SBNL - Schulz Benelux BVBA
Appelweg 94 C
3221 Holsbeek

info@sbnl.be
www.sbnl.be